

Low clearance drill

Power

Cummins QSB 4.5 L (275 cubic inch) turbocharged and charge air-cooled 4 cylinder diesel engine

Carrier

Track width17.7 in. (45 cm)
 Avg. ground bearing pressure4.5 psi (.316 kg/cm²)
 Suspensiontriple walking beams
 Turning radiusin place
 Drivehydraulic motor/planetary wheel drives
 Steeringremote radio controlled guidance
 Hydraulic front winch12,000 lb. (5,443 kg)
 Auger & rod racksstandard
 Tool boxesstandard

Gradeability

Straight ahead climb.....50% grade
 Side-hill traverse.....36% grade

Rotary Drive

Clutch, heavy duty.....13 inch (33 cm)
 Transmission.....5 speed forward, 1 speed reverse
 Standard:

Rotary torque7,700 foot pounds (10,472 Nm) max
 Rotary speed.....up to 800 rpm max

High torque:

Rotary torque.....9,400 foot pounds (12,784 Nm) max
 Rotary speed.....up to 665 rpm max
 Hollow spindle I.D.....2 3/4 inch (3 3/4 inch avail.)

Hydraulic Feed System

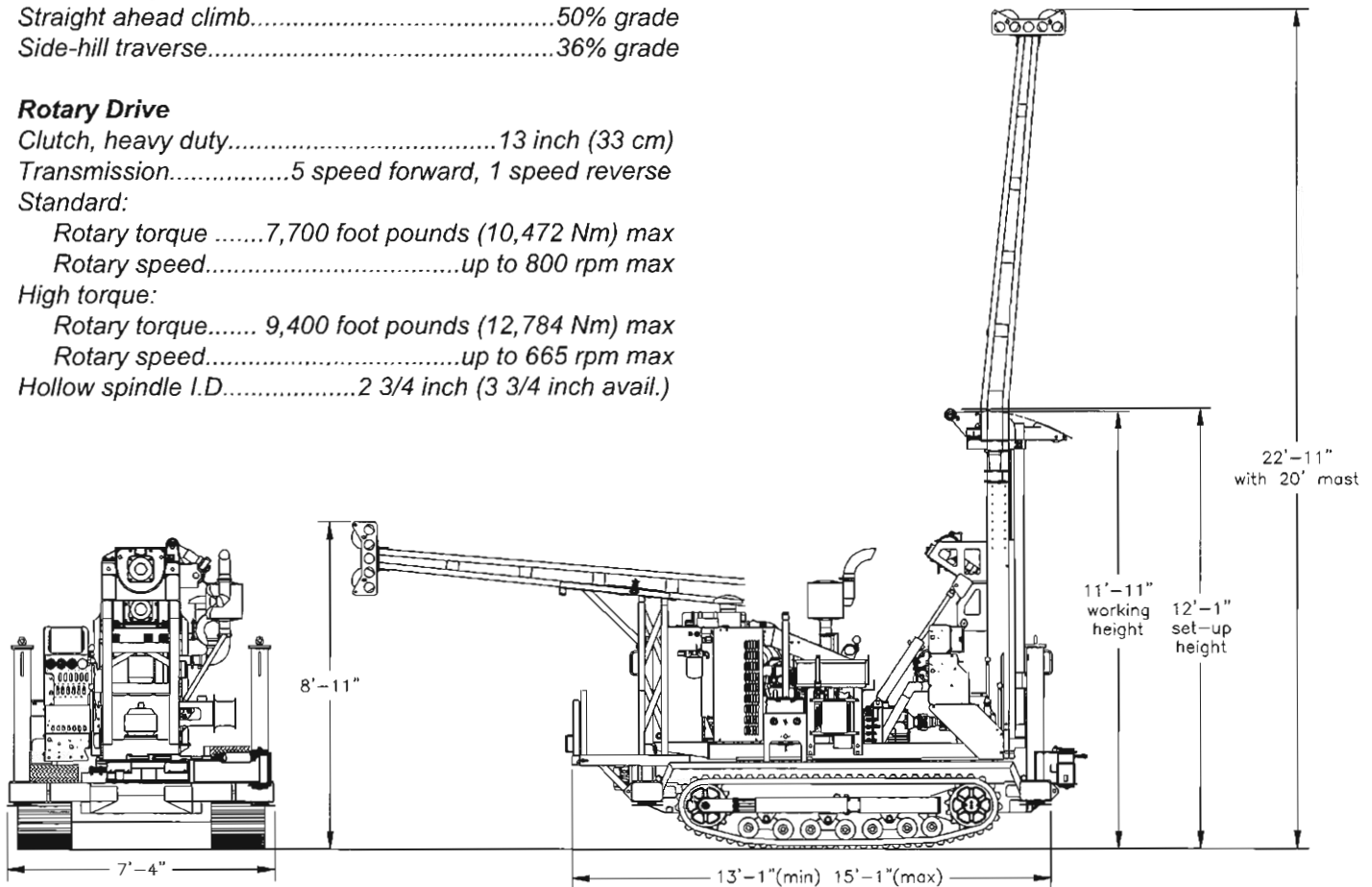
Retract force.....27,615 pounds (12,526 Kg)
 Pulldown force.....19,750 pounds (8,958 Kg)
 Retract rate (max).....45 feet (13.7 m) per minute
 Rapid retract rate (max).....95 feet (29 m) per minute
 Feed rate (max).....65 feet (19.8 m) per minute
 Stroke.....72 inch (183 cm)

Leveling System

Four jacks, inverted design with chrome-plated piston rods enclosed at all times
 Stroke.....36 in. (91 cm)

Weight (Approximate)

Empty.....15,425 lbs.(6,997 kg)



CENTRAL MINE EQUIPMENT COMPANY

4215 Rider Trail North, Earth City (St. Louis), MO. 63045
 Phone: 314-291-7700 • 1-800-325-8827 • FAX: 314-291-4880
 E-mail: info@cmeco.com • Website: www.cmeco.com