

CME-750X



Specifications

Power

Cummins 359 cubic inch (5.9 L) 6 cylinder turbocharged diesel engine

Carrier

Tire sizes: Front ..50 inch (127 cm) diameter x 25 inch (63 cm) wide x 10-ply

Rear ..50 inch (127 cm) diameter x 30 inch (76 cm) wide x 12-ply

Ground bearing pressure (without tools).....7.2 psi (.506 kgf/cm²)

Transmission.....5 speed forward, 1 speed reverse

Axles (front and rear).....planetary with no-spin differentials

Front axle disconnect.....standard

Steeringhydraulic power

Front winch 15,000 pound (6,804 kg)

Rotary Drive

Standard :

Rotary torque10,191 foot pounds (13,817 Nm) max

Rotary speedup to 727 rpm max

High torque (optional):

Rotary torque13,105 foot pounds (17,768 Nm) max

Rotary speedup to 565 rpm max

Transmission.....5 speed forward, 1 speed reverse

Hollow spindle I.D.2 3/4 inch (7 cm) [3 3/4 inch (9.5 cm) available]

Hydraulic Feed System

Retract force30,000 pounds (13,608 kg)

Pulldown force20,000 pounds (9,072 kg)

Retract rate (max).....102 feet (31 m) per minute

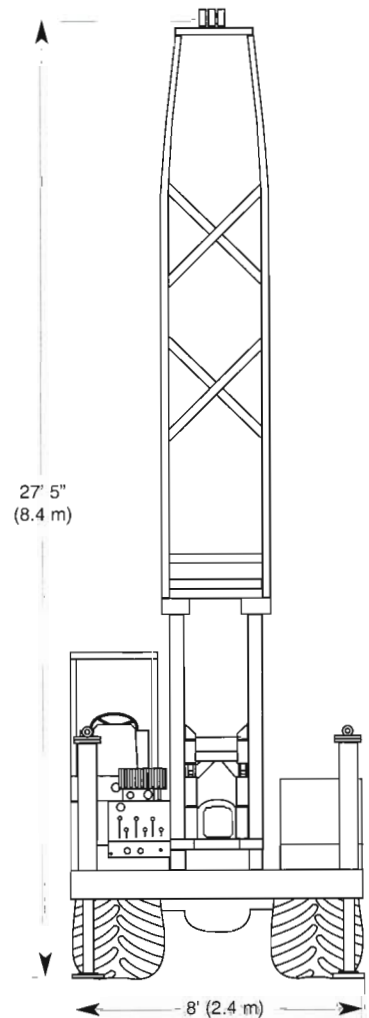
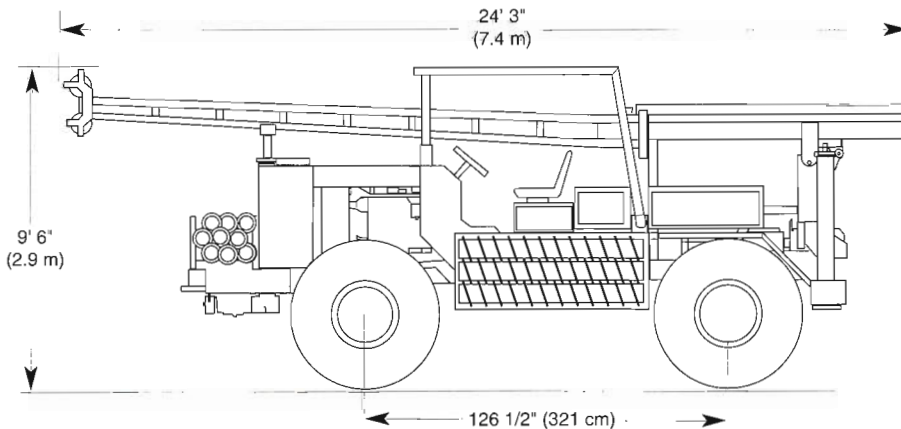
Feed rate (max)53 feet (16 m) per minute

Stroke.....72 inch (183 cm)

Leveling System

Three jacks, inverted design with chrome-plated piston rods enclosed at all times

Stroke.....36 inch (91.4 cm)



CENTRAL MINE EQUIPMENT COMPANY

4215 Rider Trail North, Earth City (St. Louis), MO. 63045
Phone: 314-291-7700 • 1-800-325-8827 • FAX: 314-291-4880
E-mail: info@cmeco.com • Website: www.cmeco.com