

CME-850X



Specifications

Power

Cummins QSB5.9-30-TAA turbocharged and charge air cooled 6 cylinder Tier 2 U.S. EPA emissions certified diesel engine
Rated horsepower (driving).....185 hp @ 2500 rpm
Rated horsepower (drilling).....110 hp @ 2500 rpm

Carrier

Track width.....33 in. (84 cm)
Tractive force (max).....45,800 lbs.(20,793 kg)
Average ground bearing pressure.....2.9 psi (.204 kgf/cm)
Inside turning radius.....in place
Drive: hydrostatic closed-loop transmissions consisting of variable displacement piston pump, two-speed bent-axis piston motor, and double reduction planetary wheel drive
Hydraulic front winch.....15,000 lb.(6,810 kg)

Speed (max)

Low range.....2 mph (3.22 kph)
High range.....8 mph (12.87 kph)

Gradeability

Straight-ahead climb.....60% grade
Side-hill traverse.....40% grade

Rotary Drive

Transmission.....5 speed fwd., 1 speed rev.
Rotary torque.....15,100 ft. lbs. max (20,535 Nm)
Rotary speed.....600 rpm max
Hollow spindle I.D...2 3/4 in. (7 cm) (3 3/4 in. (10 cm)avail.)

Hydraulic Feed System

Retract force.....28,275 lbs. (12,826 kg)
Pull-down force.....18,650 lbs. (8,460 kg)
Retract rate (max).....90 ft.(27 m)/min.
Feed rate (max).....58 ft.(18 m)/min.
Stroke.....72 in. (183 cm)

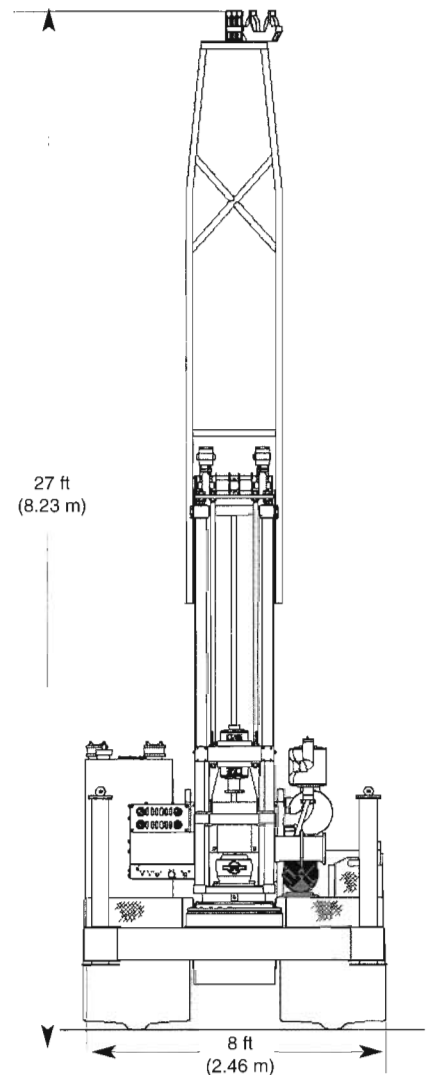
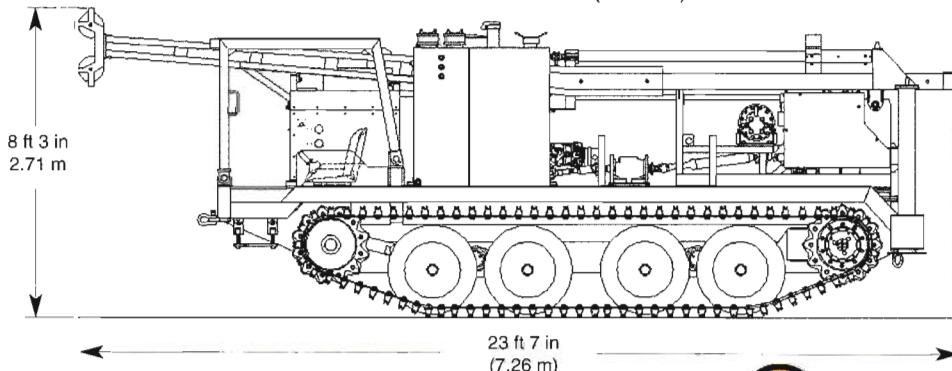
Leveling System

Three jacks, inverted design with chrome-plated piston rods enclosed at all times

Stroke.....36 in. (91 cm)

Approximate Weight

(less drilling tools).....26,000 lbs. (11,804 kg)



CENTRAL MINE EQUIPMENT COMPANY

4215 Rider Trail North, Earth City (St. Louis), Missouri, 63045 USA

Phone: 314-291-7700 • 1-800-325-8827 • FAX: 314-291-4880

E-mail:info@cmeco.com • Website:www.cmeco.com