

Specifications

Power

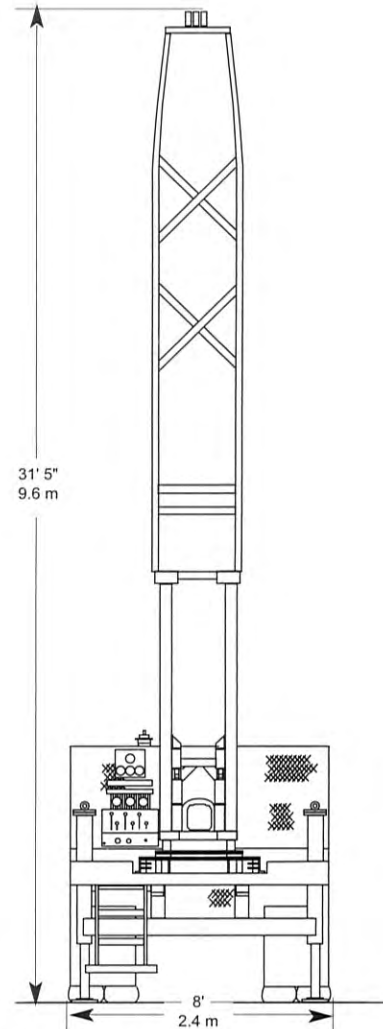
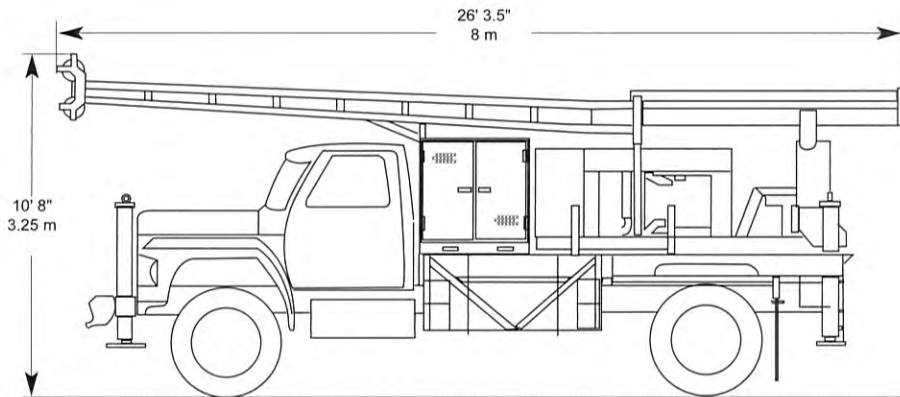
Cummins 6BT 5.9 turbo charged 6 cylinder diesel engine

Rotary Drive

Clutch, heavy duty 13 in. (33 cm)
Transmission 5 speed fwd., 1 speed rev.
Rotary torque 10,000 ft. lbs. (13,560 Nm)
Rotary torque (optional) 13,000 ft. lbs. (17,628 Nm)
Rotary speed 725 rpm max
Rotary speed (optional) 911 rpm max
Hollow spindle I.D. 2 3/4 in. (7 cm) {3 3/4 in. (9.5 cm) avail.}

Hydraulic Feed System

Retract force 30,000 lbs. (13,608 Kg)
Pulldown force 20,000 lbs. (9,072 Kg)
Hoist rate (max) 95 ft./min. (29 m/min)
Feed rate (max) 58 ft./min. (18 m/min)
Stroke 72 in. (1.8 m)



Typical single rear axle truck configuration with 26' mast and optional deck platform.
Dimensions will vary, depending on truck wheel base and all-wheel drive or tandem rear axle applications.

Central Mine Equipment Company manufactures a complete line of drilling equipment for the environmental, geotechnical and water well drilling industries of the world. We have been a leader in drilling product quality, innovation and service for over seventy years.



CENTRAL MINE EQUIPMENT COMPANY

4215 Rider Trail North, Earth City (St. Louis), Missouri, 63045 USA
Phone: 314-291-7700 • 1-800-325-8827 • FAX: 314-291-4880
E-mail: info@cmeco.com • Website: www.cmeco.com