

# CME-85



## Specifications

### Power

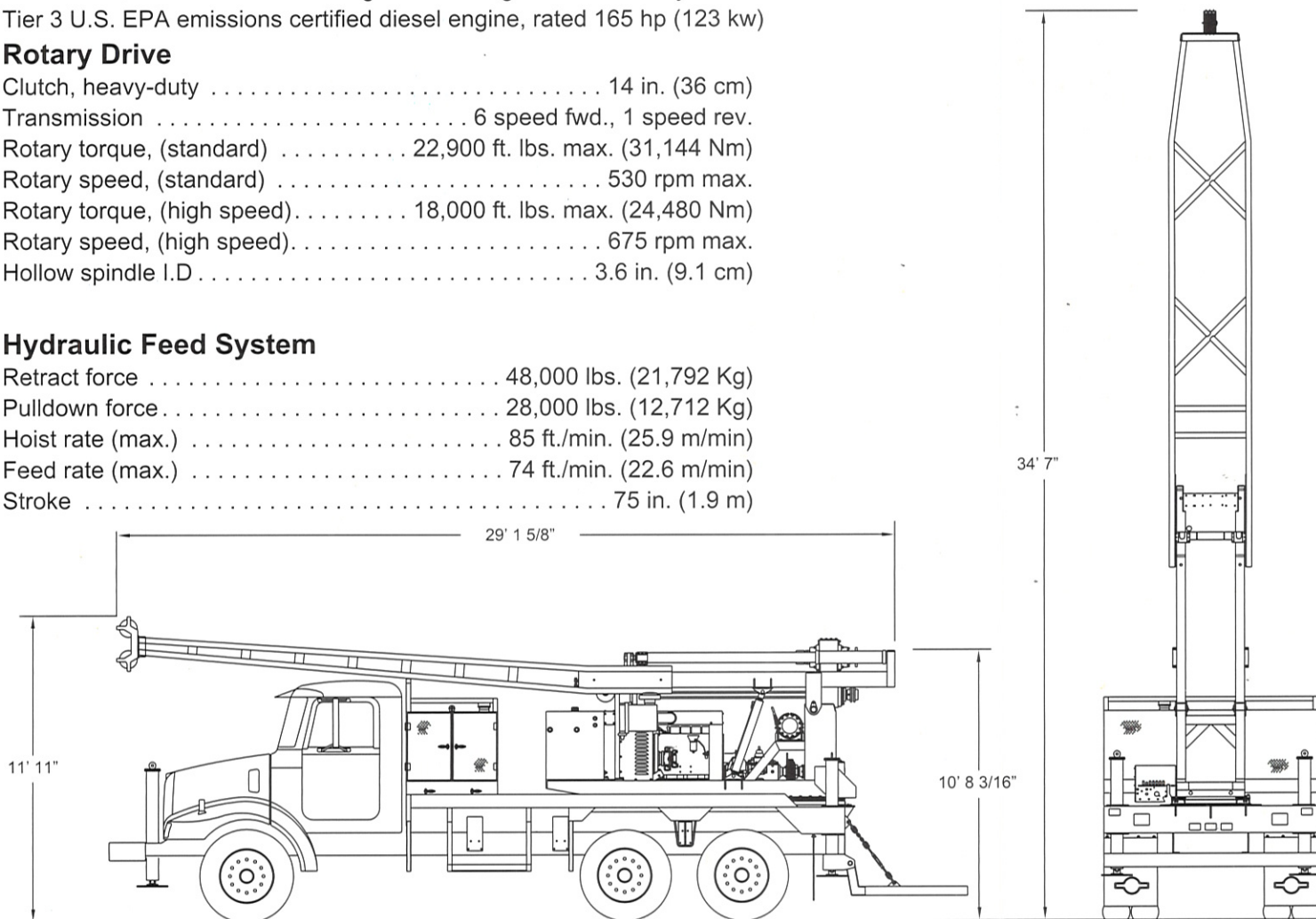
Cummins QSB6.7-TAA Turbocharged and charge air cooled 6 cylinder Tier 3 U.S. EPA emissions certified diesel engine, rated 165 hp (123 kw)

### Rotary Drive

Clutch, heavy-duty . . . . . 14 in. (36 cm)  
Transmission . . . . . 6 speed fwd., 1 speed rev.  
Rotary torque, (standard) . . . . . 22,900 ft. lbs. max. (31,144 Nm)  
Rotary speed, (standard) . . . . . 530 rpm max.  
Rotary torque, (high speed) . . . . . 18,000 ft. lbs. max. (24,480 Nm)  
Rotary speed, (high speed) . . . . . 675 rpm max.  
Hollow spindle I.D . . . . . 3.6 in. (9.1 cm)

### Hydraulic Feed System

Retract force . . . . . 48,000 lbs. (21,792 Kg)  
Pulldown force . . . . . 28,000 lbs. (12,712 Kg)  
Hoist rate (max.) . . . . . 85 ft./min. (25.9 m/min)  
Feed rate (max.) . . . . . 74 ft./min. (22.6 m/min)  
Stroke . . . . . 75 in. (1.9 m)



Typical tandem axle truck configuration. Dimensions may vary, depending on truck wheelbase or all-wheel drive applications.

Central Mine Equipment Company manufactures a complete line of drilling equipment for the environmental, geotechnical and water well drilling industries of the world. We have been a leader in drilling product quality, innovation and service for over seventy-eight years.



### CENTRAL MINE EQUIPMENT COMPANY

4215 Rider Trail North, Earth City (St. Louis), Missouri, 63045 USA

Phone: 314-291-7700 • 1-800-325-8827 • FAX: 314-291-4880

E-mail: [info@cmeco.com](mailto:info@cmeco.com) • Website: [www.cmeco.com](http://www.cmeco.com)